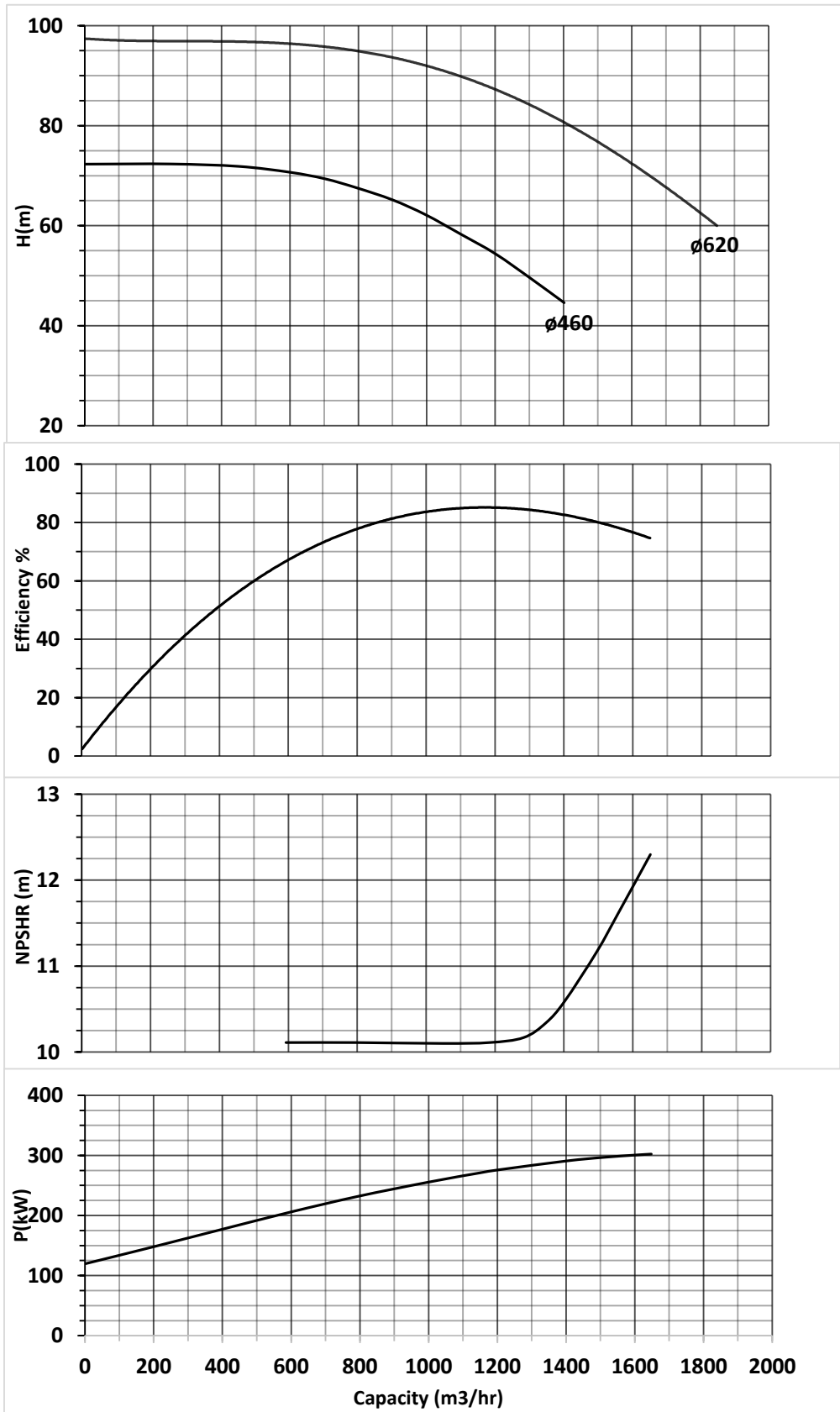


Pump model : KSP 300-500
Project code:
Offer ref:

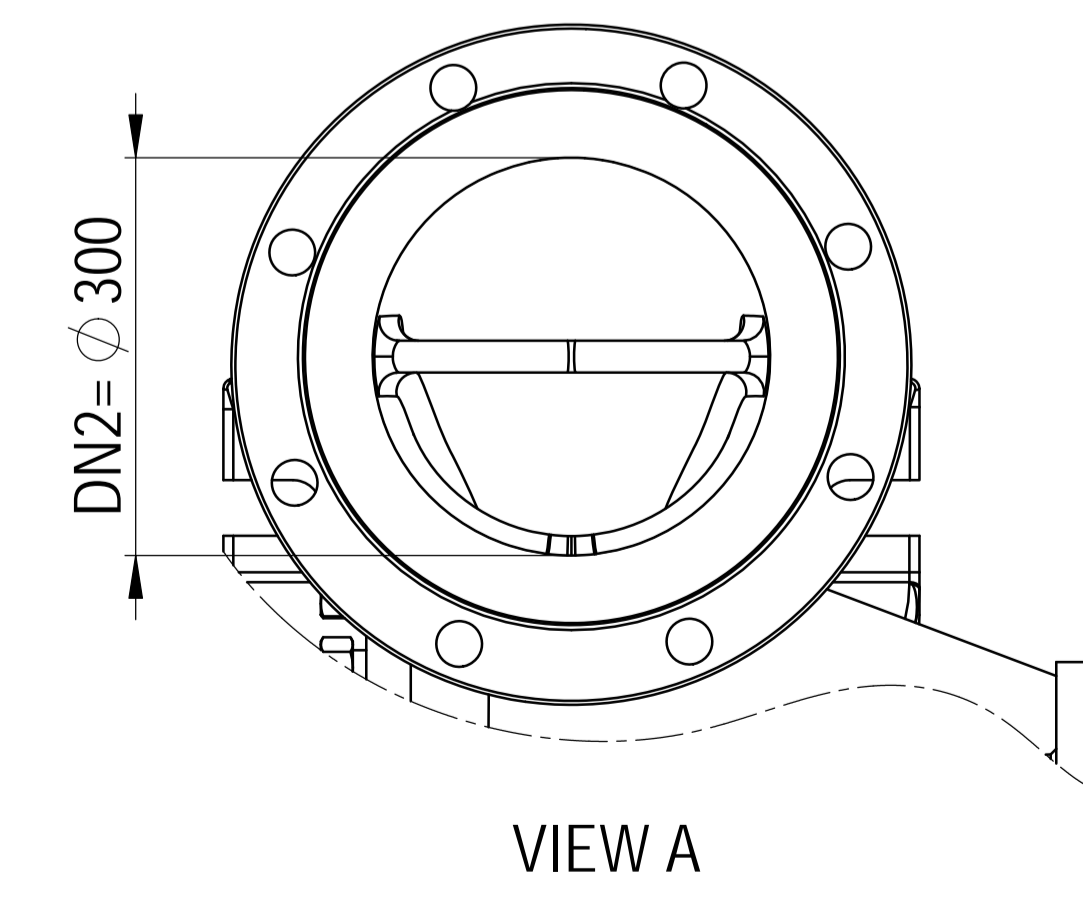
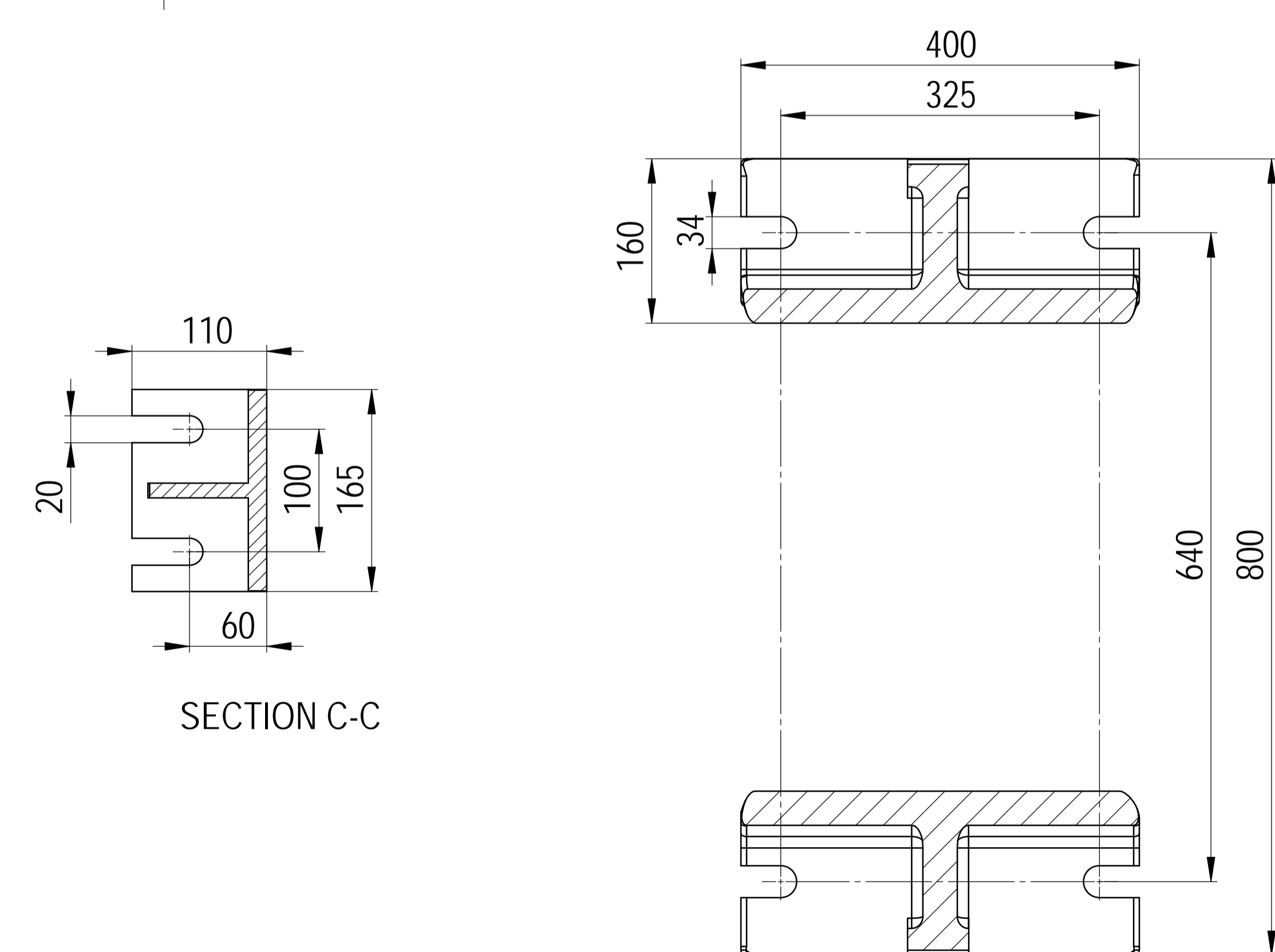
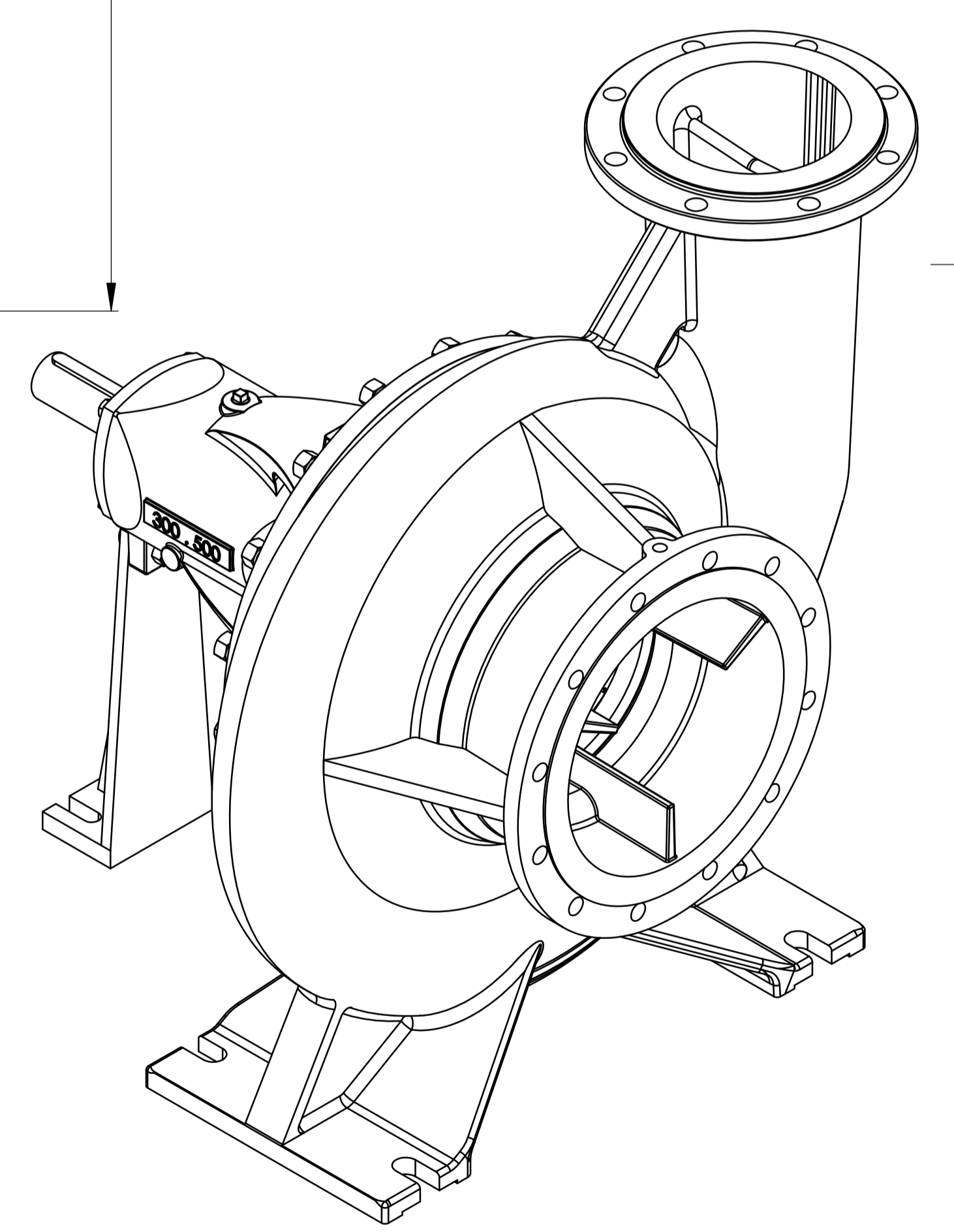
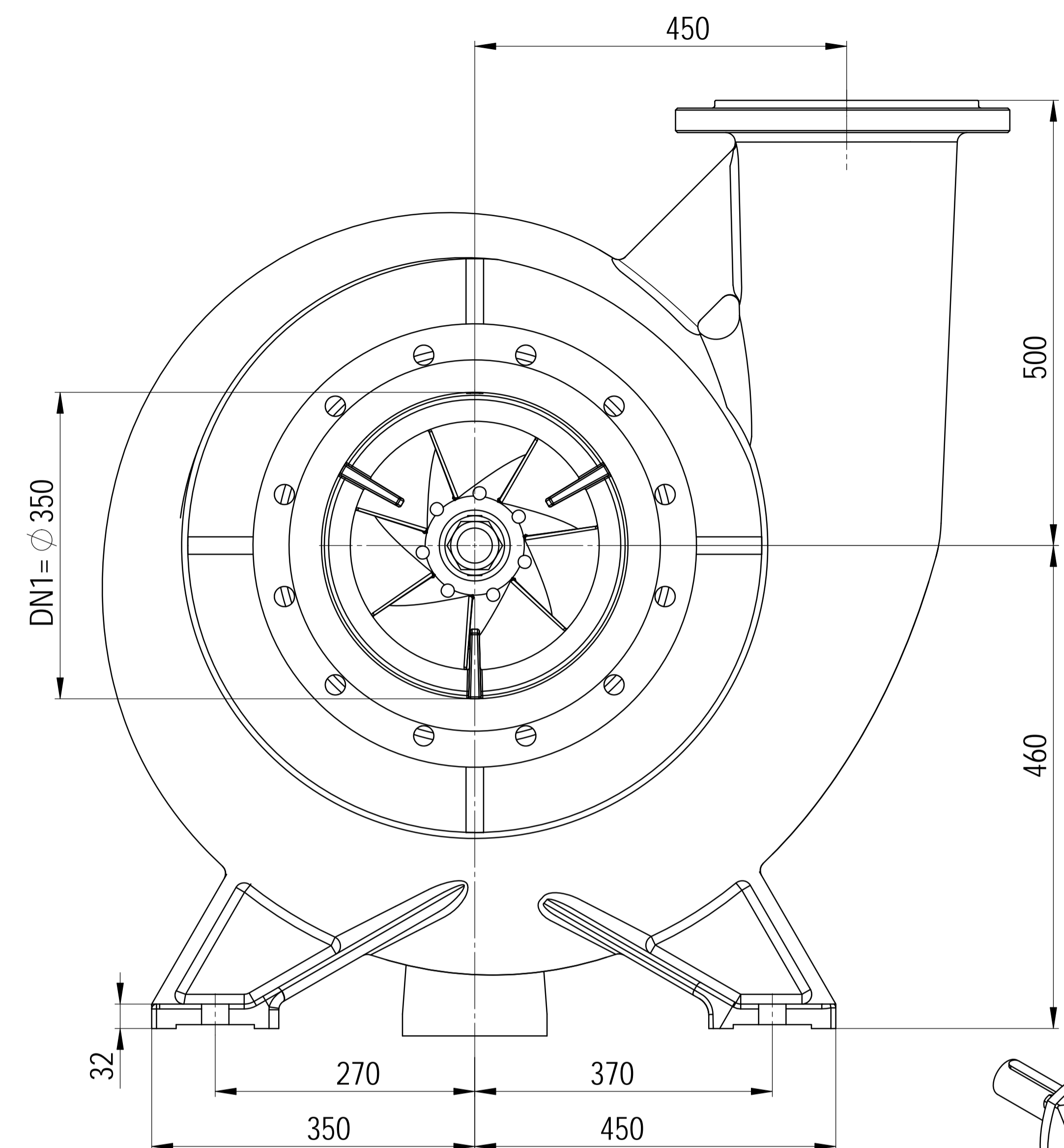
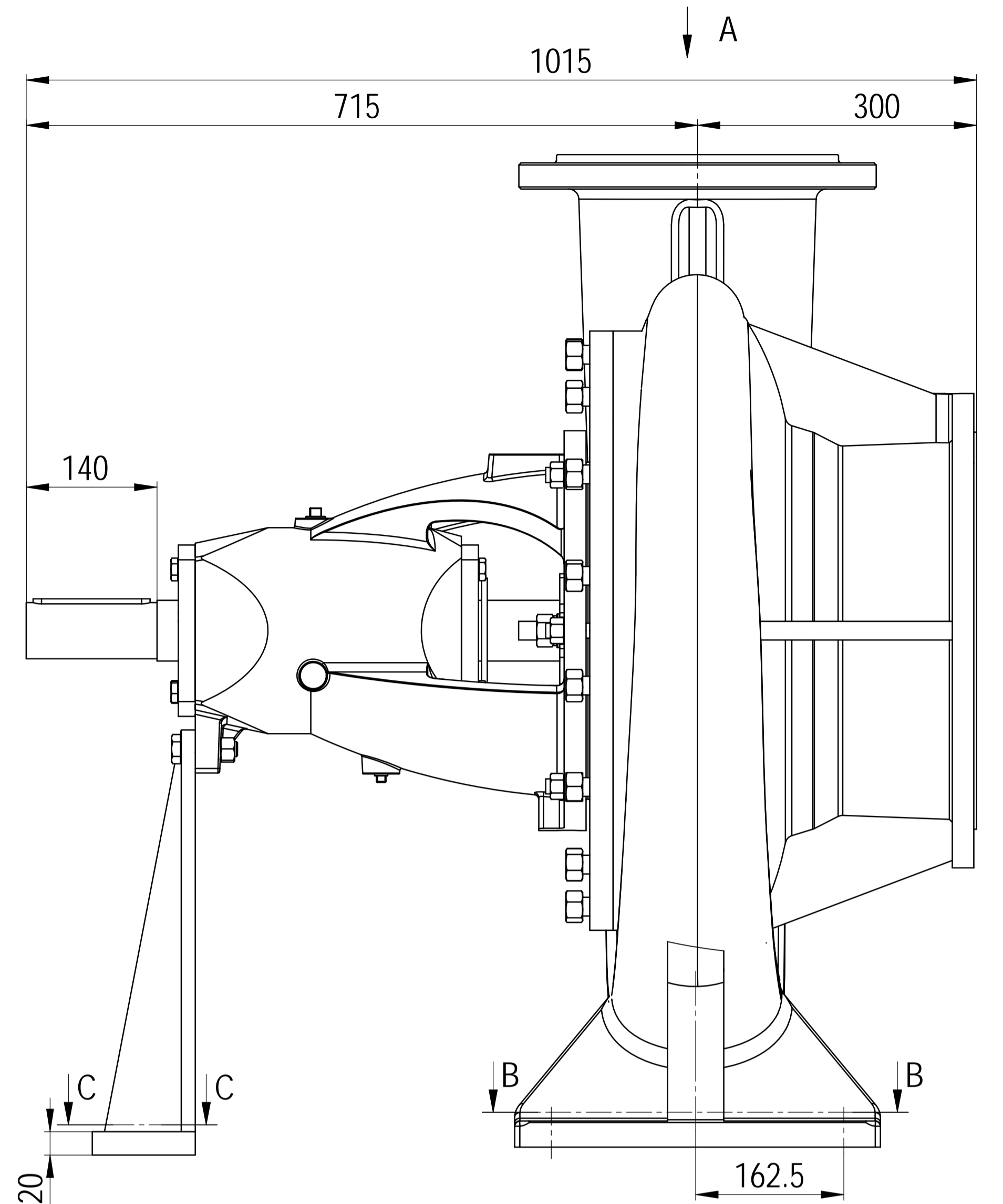



Flow density: 998 kg/m ³
Viscosity: 1 mm/s ²
Speed of rotation: 2950 RPM
Acceptance standard: ISO 9906

KSP 300-500



Rev	Date	Drawn	Checked	Approved



Product No.: Etanorm R 300-500	Designed	Date	Name	General Tolerances:	ISO 2768-mk				
Ref.Dwg.No.:	Drawn	93/00/00	Zamanpour	SCALE: 1:5	Qty: 1	Weight:	(Kg)		
Tag.No.:	Checked	93/00/00	Arbabi	Material-Code:	Material No.:				
Part.No.:	Approved		Majd	Title: Etanorm R 300-500 Out Line Drawing					
Order.No.:	 KEC شرکت مهندسی ماهین های دوار خاور KHAVAR ENGINEERING CO.			Drawing No.:	REV				
Sheet				Size	Unit	000 00000 0000 00000 0000			
1 of 1	A2	mm	Repl. for: ---			Repl. Date: ---			